

nectre



GOOD
DESIGN
AWARD®
WINNER



AUSTRALIAN MADE

nectre.com.au





AUSTRALIAN MADE

Established in 1980, the Nectre brand has long been recognised as a honest and reliable wood heater that produces stunning warmth and comfort from a timeless design with easy to operate features. Today, that Nectre warmth and comfort is enjoyed in well over 7 countries.

We are proud of our tradition, history and even more so to be one of the leading Australian wood heater manufacturers. We strive to make the very best heater for value while providing excellent all-round performance. We are driven daily to achieve manufacturing excellence and as such every Nectre wood heater meets or exceeds AS/NZS 4012:2014 and AS/NZS 4013:2014 standards.

The famous Australian Made® logo is the true mark of Aussie authenticity and is Australia's most trusted, recognised and widely used country of origin symbol, underpinned by a third-party accreditation system, which ensures products that carry the logo are certified as 'genuinely Australian'.

Nectre heaters are designed and manufactured right here in Australia, delivering rock-solid build quality, exceptional heating performance and timeless classic design to all Australians.

Nectre FORM 1



Displayed: PEDESTAL
Size: 300(w) x 550(d) x 600(h)

A fresh and novel take on what a combustion heater can look like, and the only wood heater in the Australian wood heating landscape with its narrow yet deep form factor. The sleek capsule shape is resolved with cast iron, high quality stainless steel controls and curved glass, which offers a wider view of the flames, impressive performance and heating efficiency. The outside air capability and ability to cook on the top plate will make Form 1 especially attractive for compact, eco-friendly housing designs, and make it a better fit for newly constructed housing in general.

SPECIFICATIONS

Coverage	Up to 90m ²
Heat Output	Max ave. 7kW
Efficiency	70%
Emissions	0.70g/kg
Firebox size	235(w) x 365(d) x 270(h)
Max log width	340
Weight	80kg
Heating style	Radiant

PEDESTAL



Size: 300(w) x 550(d) x 600(h)



*All dimensions are in millimeters (mm) unless specified otherwise and are shown without side shields fitted (if available). In the interest of product development, Glen Dimplex Australia Pty Ltd reserve the right to change product specifications without prior notice. Refer to the IOM online for the latest up to date information.

Nectre **FORM 2**



Displayed: WOODSTACKER
Size: 520(w) x 464.4(d) x 1103(h)

Designed to suit the modern Australian, it is not only clean and extremely modern in its aesthetics but performs exceptionally well with low emissions and powerful heat output. The ability to connect the air intake of the heater to an outside air source, will mean that it can efficiently heat the modern Australian home. A cast iron door and top plate not only resonate the robust quality synonymous with the Nectre brand but also more effectively radiate heat into the home. A large pane of curved, flame-resistant glass gives a more captivating view of the fire.

SPECIFICATIONS

Coverage	Up to 180m ²
Heat Output	Max ave. 13kW
Efficiency	65%
Emissions	0.60g/kg
Firebox size	335(w) x 295(d) x 365(h)
Max log width	330mm
Weight	146kg
Heating style	Convection

WOODSTACKER



Size: 520(w) x 464.4(d) x 1103(h)

BurnWise
An initiative of the Australian Home Heating Association



*All dimensions are in millimeters (mm) unless specified otherwise. In the interest of product development, Glen Dimplex Australia Pty Ltd reserve the right to change product specifications without prior notice. Refer to the IOM online for the latest up to date information.

Nectre N15



Displayed: **WOODSTACKER**
Size: 462(w) x 515(d) x 903(h)

Working with a smaller space? The Nectre N15 is a simple, classic and compact solution that offers an impressive radiant heating capacity of up to 160m². Add some wood fire magic to any corner of the room. Get cosy and enjoy.

SPECIFICATIONS

Coverage	Up to 160m ²
Heat Output	Max ave. 13kW
Efficiency	79%
Emissions	1.3g/kg
Firebox size	370(w) x 320(d) x 320(h)
Max log width	330
Weight	Legs 102kg Pedestal 108kg Wood Stacker 131kg
Heating style	Radiant

LEGS



Size: 462(w) x 515(d) x 664(h)

PEDESTAL



Size: 462(w) x 515(d) x 727(h)



*All dimensions are in millimeters (mm) unless specified otherwise and are shown without side shields fitted (if available). In the interest of product development, Glen Dimplex Australia Pty Ltd reserve the right to change product specifications without prior notice. Refer to the IOM online for the latest up to date information.

Nectre N60



Displayed: CURVE SIDE
Size: 581(w) x 510(d) x 1041(h)

The Nectre N60 is a clean burning wood heater. Together with great looks and easy to use functions the N60 is a favourite and fits beautifully in either a traditional or contemporary living area.

SPECIFICATIONS

Coverage	Up to 170m ²
Heat Output	Max ave. 11kW
Efficiency	73%
Emissions	0.60g/kg
Firebox size	345(w) x 275(d) x 450(h)
Max log width	300mm
Weight	Naked 178kg (with Tile Sides: 206kg)
Heating style	Radiant/ Convection

NAKED



Size: 454(w) x 510(d) x 1041(h)

BurnWise
An Initiative of the Australian Home Heating Association

*All dimensions are in millimeters (mm) unless specified otherwise and are shown without side shields fitted (if available). In the interest of product development, Glen Dimplex Australia Pty Ltd reserve the right to change product specifications without prior notice. Refer to the IOM online for the latest up to date information.

Nectre MK1



Displayed: **LEGS**

Size: **725(w) x 510(d) x 664(h)**

The Nectre Mk1 is one of the best performing radiant heaters for output, coverage and efficiency. The Mk1 is right at home in any living space while providing charm, warmth and comfort. Easy to operate features makes it one of our favourite heaters.

SPECIFICATIONS

Coverage	Up to 200m ²
Heat Output	Max ave. 19kW
Efficiency	73%
Emissions	0.95g/kg
Firebox size	580(w) x 315(d) x 340(h)
Max log width	500mm
Weight	Legs 134kg Pedestal 143kg
Heating style	Radiant

LEGS



Size: 725(w) x 510(d) x 664(h)

PEDESTAL



Size: 725(w) x 510(d) x 697(h)

BurnWise
An affiliate of the Australian Home Heating Association

*All dimensions are in millimeters (mm) unless specified otherwise and are shown without side shields fitted (if available). In the interest of product development, Glen Dimplex Australia Pty Ltd reserve the right to change product specifications without prior notice. Refer to the IOM online for the latest up to date information.

Nectre MK2



Displayed: **PEDESTAL**
Size: **750(w) x 528(d) x 716(h)**

The Nectre Mk2 is a simple but elegant radiant/convection heater that circulates warmth effectively throughout any living space. Mk2 pushes out an impressive peak 20kW.

SPECIFICATIONS

Coverage	Up to 200m ²
Heat Output	Max ave. 18kW
Efficiency	73%
Emissions	0.80g/kg
Firebox size	515(w) x 305(d) x 330(h)
Max log width	450
Weight	Legs 163kg Pedestal 177kg
Heating style	Radiant/ Convection

*Optional 3 speed fan for pedestal only

LEGS



Size: 750(w) x 528(d) x 653(h)

PEDESTAL



Size: 750(w) x 528(d) x 716(h)

BurnWise
An initiative of the Australian Home Heating Association

*All dimensions are in millimeters (mm) unless specified otherwise and are shown without side shields fitted (if available). In the interest of product development, Glen Dimplex Australia Pty Ltd reserve the right to change product specifications without prior notice. Refer to the IOM online for the latest up to date information.

Nectre MK3



Displayed: **WOODSTACKER**
Size: 750(w) x 627(d) x 792(h)

The Nectre Mk3 is built with an approved wood stack base together with deeper firebox which makes it not only look good but performs brilliantly as a radiant/convection hardwood heater. Standard remote control 3 speed fan is a welcome addition.

SPECIFICATIONS

Coverage	Up to 270m ²
Heat Output	Max ave. 18kW
Efficiency	62%
Emissions	1.1g/kg
Firebox size	530(w) x 400(d) x 330(h)
Max log width	450
Weight	244kg
Heating style	Radiant/ Convection

*3 speed remote control fan comes as standard

WOODSTACKER



Size: 750(w) x 627(d) x 792(h)



*All dimensions are in millimeters (mm) unless specified otherwise and are shown without side shields fitted (if available). In the interest of product development, Glen Dimplex Australia Pty Ltd reserve the right to change product specifications without prior notice. Refer to the IOM online for the latest up to date information.

Nectre MEGA



Displayed: **PEDESTAL**
Size: 760(w) x 632(d) x 801(h)

The MEGA is designed to cover larger living spaces and provide superb warmth from its radiant convection design, fitting well in both traditional and contemporary styles.

SPECIFICATIONS

Coverage	Up to 340m ²
Heat Output	Max ave. 22kW
Efficiency	62%
Emissions	1.5g
Firebox size	600(w) x 430(d) x 320(h)
Max log width	500
Weight	Legs 249kg Pedestal 262kg Pedestal with Fan 263kg
Heating style	Radiant/ Convection

*Optional 3 speed fan for pedestal model only

LEGS



Size: 760(w) x 632(d) x 798(h)

PEDESTAL



Size: 760(w) x 632(d) x 801(h)

BurnWise
An initiative of the Australian Home Heating Association

*All dimensions are in millimeters (mm) unless specified otherwise and are shown without side shields fitted (if available). In the interest of product development, Glen Dimplex Australia Pty Ltd reserve the right to change product specifications without prior notice. Refer to the IOM online for the latest up to date information.

Nectre **INBUILT**



Displayed: INBUILT
Size: 695(w) x 541(d) x 578(h)

The Nectre Inbuilt delivers natural convection warmth with all the charm and comfort you expect from a Nectre. Nectre Inbuilt is an all-round performer with the style and easy to use functions and it will fit into most existing fireplaces.

SPECIFICATIONS

Coverage	Up to 160m ²
Heat Output	Max ave. 10kW
Efficiency	62%
Emissions	0.90g/kg
Firebox size	500(w) x 325(d) x 370(h)
Max log width	430mm
Weight	120kg
Heating style	Radiant/ Convection

*3 speed remote control fan comes as standard

INBUILT



Size: 695(w) x 541(d) x 578(h)

BurnWise
An initiative of the Australian Home Heating Association

*All dimensions are in millimeters (mm) unless specified otherwise and are shown without side shields fitted (if available). In the interest of product development, Glen Dimplex Australia Pty Ltd reserve the right to change product specifications without prior notice. Refer to the IOM online for the latest up to date information.

Nectre N900



Displayed: **FREESTANDING**
Size: **1037(w) x 625(d) x 1128(h)**

The Nectre N900 is one of the largest open fronted, wood burning fireplaces on the market. It offers versatility in its installation, in either a freestanding woodstacker or a built-in, with the option for masonry installation. The N900 can become the centrepiece of any room or undercover alfresco area.

SPECIFICATIONS

Coverage	Up to 100m ²
Heat Output	Up to 15kW
Firebox size	880(w) x 340(d) x 320(h)
Max log width	600
Weight	Up to 250kg
Heating style	Convection

*3 speed remote control fan comes as standard

WOODSTACKER



Size: 1037(w) x 625(d) x 1128(h)

INBUILT



Size: 1037(w) x 625(d) x 667(h)

BurnWise
An initiative of the Australian Home Heating Association

*All dimensions are in millimeters (mm) unless specified otherwise and are shown without side shields fitted (if available). In the interest of product development, Glen Dimplex Australia Pty Ltd reserve the right to change product specifications without prior notice. Refer to the IOM online for the latest up to date information.

Nectre **BAKERS OVEN**



Displayed: FREESTANDING
Size: 550(w) x 573(d) x 823(h)

The Nectre Bakers Oven provides excellent warmth and cooking performance. With a small footprint it fits in just about any living space without being obtrusive. The cook top adds a warming or direct cooking option with removable rings.

SPECIFICATIONS

Coverage	Up to 120m ²
Heat Output	Up to 11kW
Firebox size	340(w) x 300(d) x 380(h)
Max log width	300
Weight	166kg
Heating style	Radiant

*Optional factory fitted domestic hot water booster

FREESTANDING



Size: 550(w) x 573(d) x 823(h)

BurnWise
An initiative of the Australian Home Heating Association

*All dimensions are in millimeters (mm) unless specified otherwise and are shown without side shields fitted (if available). In the interest of product development, Glen Dimplex Australia Pty Ltd reserve the right to change product specifications without prior notice. Refer to the IOM online for the latest up to date information.

Nectre **BIG BAKERS OVEN**



Displayed: **FREESTANDING**
Size: **690(w) x 577(d) x 823(h)**

The Nectre Big Bakers Oven produces amazing radiant warmth and coverage. Designed with character and charm the Big Bakers Oven provides a spacious oven for those Sunday roasts. The cook top adds a warming or direct cooking option with removable rings.

SPECIFICATIONS

Coverage	Up to 200m ²
Heat Output	Up to 14kW
Firebox size	485(w) x 295(d) x 300(h)
Max log width	445
Weight	231kg
Heating style	Radiant

*Optional factory fitted domestic hot water booster

FREESTANDING



Size: 690(w) x 577(d) x 823(h)

BurnWise
An initiative of the Australian Home Heating Association

*All dimensions are in millimeters (mm) unless specified otherwise and are shown without side shields fitted (if available). In the interest of product development, Glen Dimplex Australia Pty Ltd reserve the right to change product specifications without prior notice. Refer to the IOM online for the latest up to date information.

How to Choose a Wood Heater?

Taking the time to understand how a wood heater works and your heating requirements.

Find the best type of wood heater for you. There are two basic types of wood heaters in Australia, radiant and convection.

Work out the size and space you require to heat. Measure the size of the room or rooms as well as the height of the ceilings.

Find out the level of insulation in your house. Modern houses will have wall and roof insulation, making them more efficient.

Window glazing and furnishings are important to know to understand how much heat is lost in the house.

The layout of your house will affect what wood heater is best for you. Where you will locate the unit, and how many levels there in the house are vital.

Get the correct sized unit for your house. Units that are too small or too large will be inefficient and possibly dangerous to operate.

The geographic location of your house is also important. Different areas of Australia require different heating needs.

RADIANT HEATERS

(Nectre Form 1, Mk1 & N15)

A radiant heater does not have any outer casings on the firebox except for a rear heatshield. A radiant heater will heat the objects in the room in a straight line from the heater, like an electric bar radiator. Radiant heaters are ideal for rooms with high ceilings and used in conjunction with a ceiling fan is a very effective method of heating. A radiant heater will require a larger clearance to the sides than a convection style heater.

RADIANT / CONVECTION HEATER

(Nectre Form 2, Mk2, Mk3, Mega, N60, & Inbuilt)

A radiant/convection heater will emit radiant heat from the front of the heater and the lower top, front step but has a convection chamber built into the sides and rear of the appliance which allows for the addition of a fan to increase the speed of this convection air. The side clearances are also reduced because of these air gaps. A natural convection is created through this chamber depending on the burn rate of the fire but an optional fan can be added to increase the speed of this air movement. No fan available for the N60.

Maintaining a wood fire heater is easier than you may think. Other things to consider are ensuring that the wood you burn is dry, that you regularly clean out the ash when it is cold and keeping the glass door clean.

Nectre Flue Requirements

The flue system used when installing a Nectre must comply with the current installation standards of AS/NZS 2918. Full instructions on the installation of the flue will be supplied with the flue kit and these must be adhered to. The minimum exit height from the top of the floor protector (hearth) must not be less than 4.6m and the minimum exit height above the roof line of the roof ridge as detailed in the instructions.

SUITABLE FLUE SHIELD CONFIGURATION



REAR SHIELD

900mm length, minimum 160° arc, stainless steel rear flue shield, can be painted black.

Models suitable for
FORM 1 | FORM 2 | N15 | Mk1 | Mk2 | Mk3
| Mega | N60 | Bakers Ovens



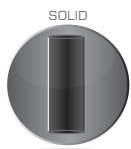
DECROMESH

Decromesh with 900mm inner reflector fitted with DLR

Models suitable for
N15 | Mk1 | Mk2 | Mk3 | Mega | N60

Decromesh with no inner reflector fitted with DLR

Models suitable for
FORM 1 | FORM 2



SOLID

200mm Solid flue outer with 900mm inner reflector fitted with DLR

Model suitable for
FORM 2 | N15 | Mk1 | Mk2 | Mk3 | Mega | N60

200mm Solid flue outer with no inner reflector fitted with DLR

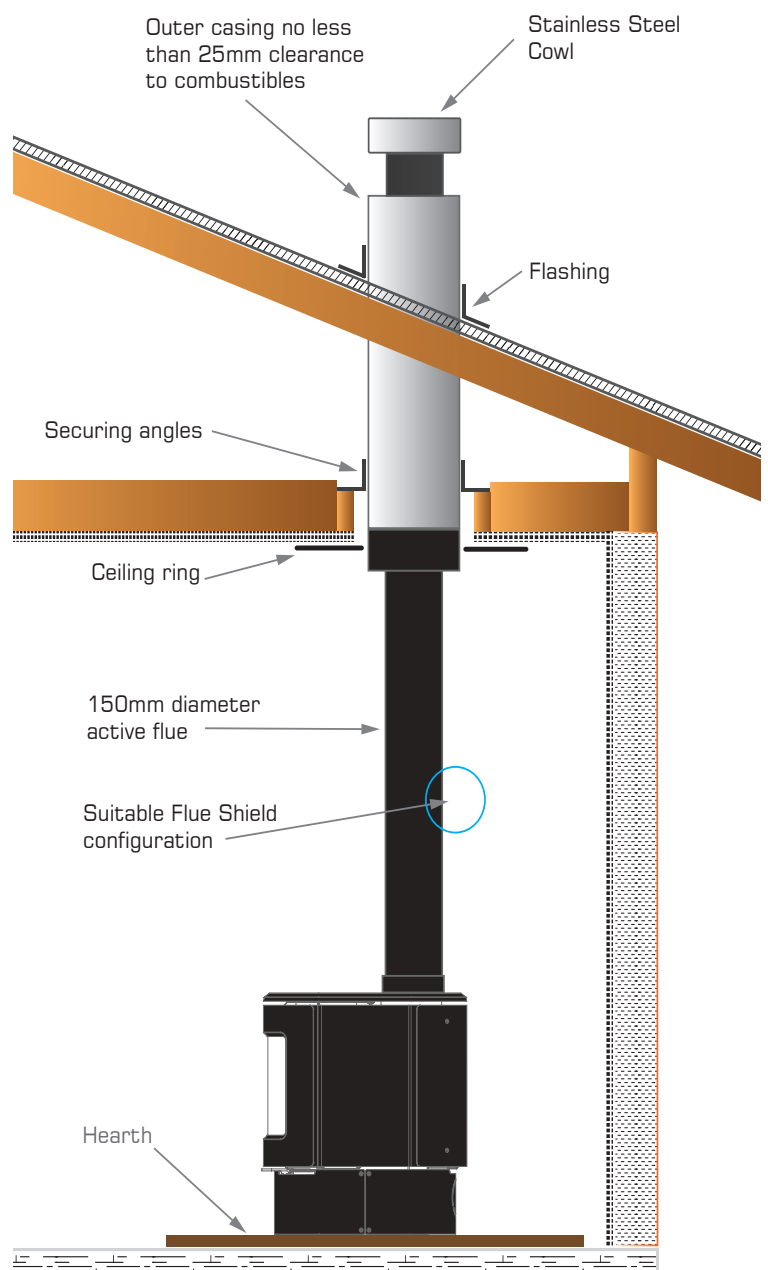
Model suitable for
FORM 1



Decromesh Locating Ring (DLR) is supplied with all models where required



4.6m Flue from the hearth plus the minimum above the roof line of the roof ridge.



BurnWise
An Authority of the Australian Heating Environment

For the very best performance out of a Nectre wood heater, we recommend only burning dry seasoned hardwood. Pre-season maintenance check and a possible flue clean will ensure excellent Nectre performance. Avoid using salt borne drift wood, pine and/or chemically treated woods.

STANDARDS
Australia
AS / NZS 2918

Nectre Product Reference Guide

		Form 1	Form 2	N15			N60		Mk1		
Type		Radiant	Convection	Radiant			Radiant / Convection		Radiant		
Style		Contemporary	Contemporary	Traditional			Contemporary		Traditional		
Base		Pedestal	Woodstacker	Legs	Woodstacker	Pedestal	Naked	Curved	Legs	Pedestal	
Colour		Black	Black	Black			Black		Black		
Tested with Fan		No	No	No			No		No		
Performance	Output (Kilowatts)	Peak	8.7	15.2	15			13		22	
		Ave.	7	13	13			11		19	
	Emissions		0.70	0.60	1.3			0.60		0.95	
		Efficiency (%)	Peak	74	71.5	86			84		81
Coverage	squares	Ave.	70	65	79			73		73	
		m ²	10	19	13-17			14-18		18-22	
Specification	Heater Size	kg	80	146	90	127	90	190	190	115	120
		(w)	300	520	460	460	460	454	581	725	725
		(d)	550	464.4	450	450	450	485	485	420	420
		(h)	600	1103	665	905	730	1037	1037	690	725
	Log Size (max)	mm	340	330	330			300		500	
	Firebox size	m ³	0.023	0.036	0.038			0.043		0.062	
	Fabricated	Steel	4, 5 & 6	4, 5 & 6	6			6		6	
Clearance	Hearth (min)	(w)	594	725	900	900	900	720		900	
		(d)	850	764.4	900	900	900	740		900	
		Thickness	5	5	15	15	15	7.5		15	
	900mm Rear Flue Shield	Rear	100	150	175	175	175	75	100	140	
		Side	550	500	750	750	750	450	190	650	
		Corner	300	200	750	750	750	225	125	500	
		Front	300	300	300	300	300	300		400	
	900mm Rear Flue Shield + Side Shields	Rear			125	240	125			140	
		Side			450	550	450			500	
		Corner			225	300	225			300	
		Front			300	300	300			400	
	Decro-mesh	Rear	100	125							
		Side	550	500							
		Corner	300	200							
		Front	300	300							
	Decro-mesh with 900mm Inner Reflector	Rear			175	175	175	125	150	140	
		Side			750	750	750	450	150	650	
		Corner			750	750	750	225	125	500	
		Front			300	300	300	300		400	
	Decro-mesh with 900mm Inner Reflector + Side Shields	Rear			175	240	175			140	
Side				450	550	450			500		
Corner				225	300	225			275		
Front				300	300	300			400		
200mm Solid Flue Outer	Rear	100									
	Side	550									
	Corner	300									
	Front	300									
200mm Solid Flue Outer with 900mm Inner Reflector	Rear		125	175	240	175	125	150	140		
	Side		500	750	550	750	450	150	650		
	Corner		200	750	300	750	225	125	500		
	Front		300	300	300	300	300		400		
Options	Fan (manual)	3 Speed									
	Fan (remote)	3 Speed									
	Shields	Side			Yes					Yes	
	Trivet	Cast			Yes						
	Air Connection	Outside	Yes	Yes							

Nectre Product Reference Guide

			Mk2	Mk3	MEGA	Inbuilt	Bakers Oven					
			Radiant / Convection		Radiant / Convection		Radiant / Convection		Radiant			
			Traditional		Traditional		Traditional		Traditional			
			Legs	Pedestal	Woodstacker		-		Original	BIG		
			Black		Black		Black		Black			
			No	Yes	Yes		Yes		No			
Performance	Output (Kilo-watts)	Peak	20		21		20 25		13		15 18	
		Ave.	18		18		16 22		10		11 14	
	Emissions		0.80	1.3	1.1		1.5 1.5		0.90		N/A	
		Peak	67	79	66		65 65		70		N/A	
	Ave.	61	73	62		62 62		62		N/A		
Coverage	squares	18-22		24-28		30-37		13-17		8-13 17-22		
	m ²	170-200		240-270		280-340		120-160		75-120 160-200		
Specification	Heater Size	kg	140	160	160		170 180		120		120 220	
		(w)	750		750		760 760		695		550 690	
		(d)	445		445		540 540		541		535 535	
		(h)	680		745		826 826		578		825 825	
	Log Size (max)	mm	450		450		500		430		300 445	
	Firebox size	m ³	0.052		0.070		0.082		0.050		0.039 0.043	
	Fabricated	Steel	6		6 & 8		6 & 8		6		6 6 & 8	
Clearance	Hearth (min)	(w)	900		900		900		900		900 900	
		(d)	900		900		900		400 300		900 900	
		Thickness	15		15		15		40 110		12 15	
	900mm Rear Flue Shield	Rear	125		150		200				125 125	
		Side	450		400		875				350 325	
		Corner	200		150		450				350 275	
		Front	400	350	300		300		400	300	300 300	
	Decro-mesh with 900mm Inner Reflector	Rear	125		150		200					
		Side	350		400		875					
		Corner	125		150		450					
		Front	400	350	300		300					
	200mm Solid Flue Outer with 900mm Inner Reflector	Rear	125		150		200					
		Side	350		400		800					
Corner		100		125		450						
Front		400	350	300		300						
Options	Fan (manual)	3 Speed	Yes				Yes					
	Fan (remote)	3 Speed			Yes				Yes			
	Shields	Side										
	Trivet	Cast										

			N900					N900		
			Open fronted					1285		
			Contemporary					1000 908-1108*		
			Woodstacker	Inbuilt				5-50**		
			Black					100 -		
			1037					500 -		
Specification	Heater Size	(w)	625 608		Clearance	Hearth (min)	(d)	25 -		
		(d)	1128 649				N900 FS flue kit	Corner	300*** -	
		(h)	600					Front	- 550	
	Log Size (max)	mm	0.075					N900 ZC flue kit	Side	- 300-500***
	Firebox size	m ³	5				Front		-	
Fabricated	Steel			Fan (remote)	3 Speed	Yes				

NOTE: Nectre Bakers Oven & Big Bakers Oven emissions and efficiency are shown as n/a, they are classified as a cooking stove and are exempt. All measurements are in millimeters (mm) and are correct at time of print. Glen Dimplex Australia Pty Ltd reserves the right to change or alter product specifications as required.

*Dependent on how far the base of the firebox is from the floor

**Dependent on material used

***May be reduced to 300mm if firebox is raised 450 above the floor, equivalent to woodstacker base cabinet

It is recommended that a qualified person/s carry out the installations in accordance to all specifications contained within this document, and with all relevant building codes. Glen Dimplex Australia Pty Ltd reserves the right to change or alter drawings, specifications or dimensions without prior notice. The information contained within the document was correct at time of printing.



“We make great wood heaters to
suit contemporary and traditional living”

Authorised Nectre Dealer



Glen Dimplex Australia Pty Ltd
8 Lakeview Drive,
Scoresby, VIC 3179
T 1300 554 155
E flame@glendimplex.com.au

Nectre is a registered trademark of
Glen Dimplex Australia Pty Ltd, all rights reserved.

